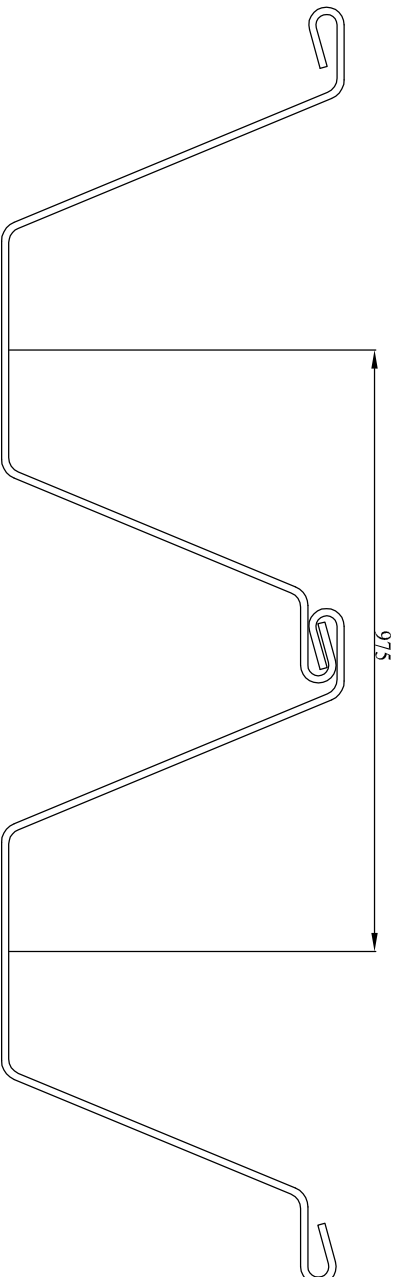


**SHEET PILE PROFILE**



**INTERLOCKED PROFILE**

COMBINED PILE PROPERTIES								
SERIES	UNIT WIDTH W [in] (mm)	HEIGHT H [in] (mm)	THICKNESS t [in] (mm)	MASS [lb/ft] (kg/m)	MASS [lb/ft <sup>3</sup> ] (kg/m <sup>3</sup> )	TOTAL MODULUS [in <sup>3</sup> /ft] (cm <sup>3</sup> /m)	TOTAL MOMENT OF INERTIA [in <sup>4</sup> /ft] (cm <sup>4</sup> /m)	Coating Area both side [ft <sup>2</sup> /ft] (m <sup>2</sup> /m)
ESC-C-CFW36	38.35 (975)	21.88 (556)	0.46 (11.75)	123.95 (184.5)	38.87 (189.4)	67.1 (3.600)	733.14 (100.440)	12.50 (3.81)

C			
M			
L			
K			
J			
I			
H			
G			
F			
E			
D			
C			
B			
A	Initial Revision	7.3.11.15	JLY
Issue	Revision	Date	Initial

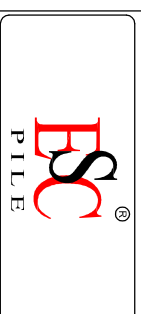
Notes:  
All dimensions in millimetres

ESC Client:

Manufacturer:

ESC Group  
Room 209, Dongdu International, No.651  
Rongqiang Road,  
Pudao District, Shanghai, China  
Postcode:200082  
P1: +86-21-31263901 Fax: +86-21-31263902  
Email: escglobal@escpile.com

Project Title:



Drawing Title:  
**ESC-C-CFW36 SHEET PILE  
PROFILE DRAWING**

Stamp:

Signature:

**PROFILE DRAWING**

Designed JLY	Drawn JLY	Checked CHK	Drawing No.	Rev.
Scale NTS	Date 13.11.2015	Job No. -		A