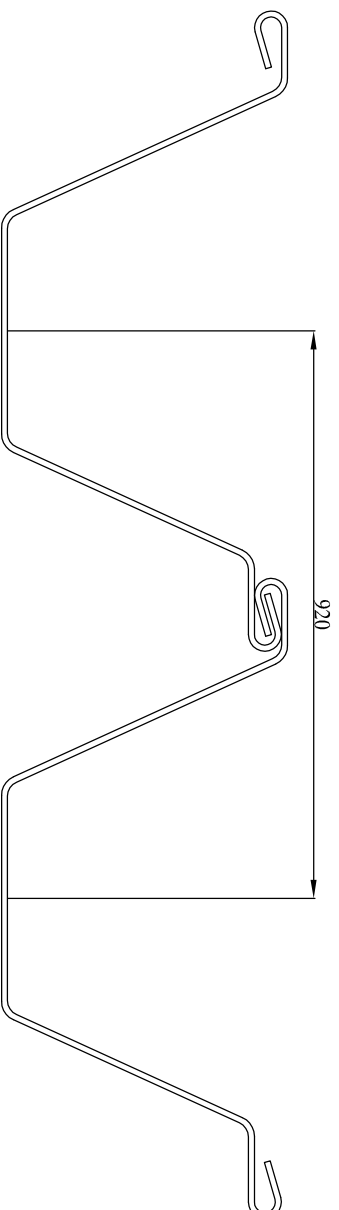


SHEET PILE PROFILE



INTERLOCKED PROFILE

COMBINED PILE PROPERTIES

SERIES	UNIT WIDTH W [in] (mm)	HEIGHT H [in] (mm)	THICKNESS t [in] (mm)	MASS [lb/ft] (kg/m)	MASS [lb/ft ²] (kg/m ²)	TOTAL MODULUS [in ³ /ft] (cm ³ /m)	TOTAL MOMENT OF INERTIA [in ⁴ /ft] (cm ⁴ /m)	Coating Area both side [ft ² /ft] (m ² /m)
ESC-C-CFW24	36.22 (920)	18.26 (464)	0.38 (9.75)	92.57 (137.8)	30.73 (149.7)	44.8 (2,405)	410.66 (56,260)	11.84 (3.61)

C			
M			
L			
K			
J			
I			
H			
G			
F			
E			
D			
C			
B			
A	Initial Revision	7.3.11.15	JLY
Issue	Revision	Date	Initial

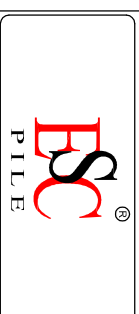
Notes:
All dimensions in millimetres

ESC Client:

Manufacturer:

ESC Group
Room 209, Dongdu International, No.651
Zhongyuan Road, Xuyi
Pudao District, Shanghai, China
Postcode: 200082
P1: +86-21-31263901 Fax: +86-21-31263902
Email: escjsh@escpile.com

Project Title:



Drawing Title:
**ESC-C-CFW24 SHEET PILE
PROFILE DRAWING**

Stamp:

Signature:

PROFILE DRAWING

Designed JLY	Drawn JLY	Checked CHK	Drawing No.	Rev.
Scale NTS	Date 13.11.2015	Job No. -		A