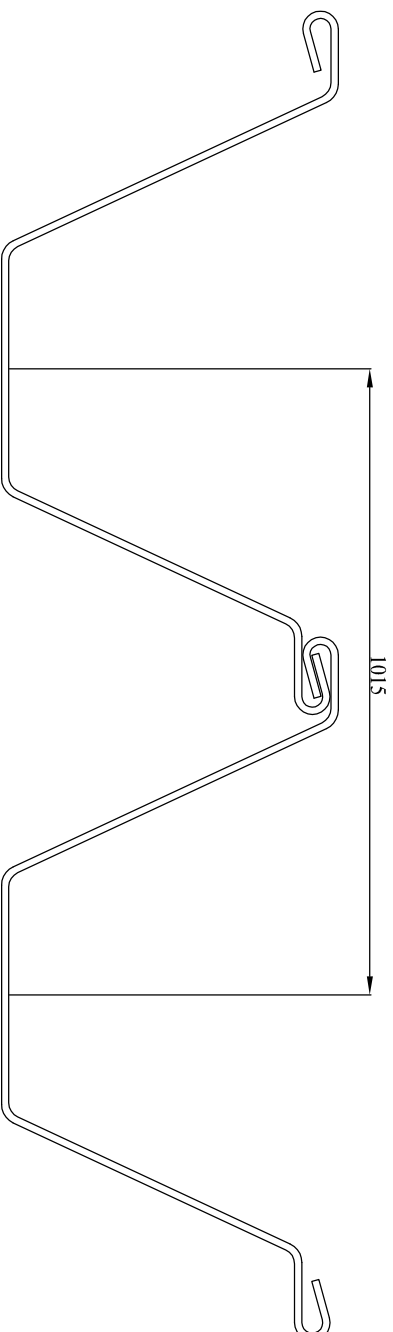


**SHEET PILE PROFILE**



**INTERLOCKED PROFILE**

**COMBINED PILE PROPERTIES**

SERIES	UNIT WIDTH W [in] (mm)	HEIGHT H [in] (mm)	THICKNESS t [in] (mm)	MASS [lb/ft] (kg/m)	MASS [lb/ft <sup>2</sup> ] (kg/m <sup>2</sup> )	TOTAL MODULUS [in <sup>3</sup> /ft] (cm <sup>3</sup> /m)	TOTAL MOMENT OF INERTIA [in <sup>4</sup> /ft] (cm <sup>4</sup> /m)	Coating Area both side [ft <sup>2</sup> /ft] (m <sup>2</sup> /m)
ESC-C-CFW34	40.00 (1,015)	21.50 (546)	0.46 (11.75)	123.95 (184.5)	37.26 (181.6)	63.1 (3,393)	677.37 (92,800)	11.94 (3.64)

C			
M			
L			
K			
J			
I			
H			
G			
F			
E			
D			
C			
B			
A			
Issue	Revision	Date	Initial
	1/3,11,15	JLY	

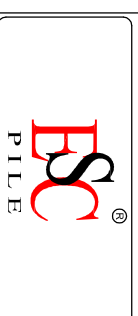
Notes:  
All dimensions in millimetres

ESC Client:

Manufacturer:

ESC Group  
Room 209, Dongdu International, No.651  
Fushan Road, Qidong, Suzhou  
Pudao District, Shanghai, China  
Postal Code: 200082  
P: +86-21-31263901 Fax: +86-21-31263902  
Email: esc@shanghai-escpile.com

Project Title:



Drawing Title:

ESC-C-CFW34 SHEET PILE  
PROFILE DRAWING

Stamp:

Signature:

**PROFILE DRAWING**

Designed JLY	Drawn JLY	Checked CHK	Drawing No.	Rev.
Scale NTS	Date 13.11.2015	Job No. -		A