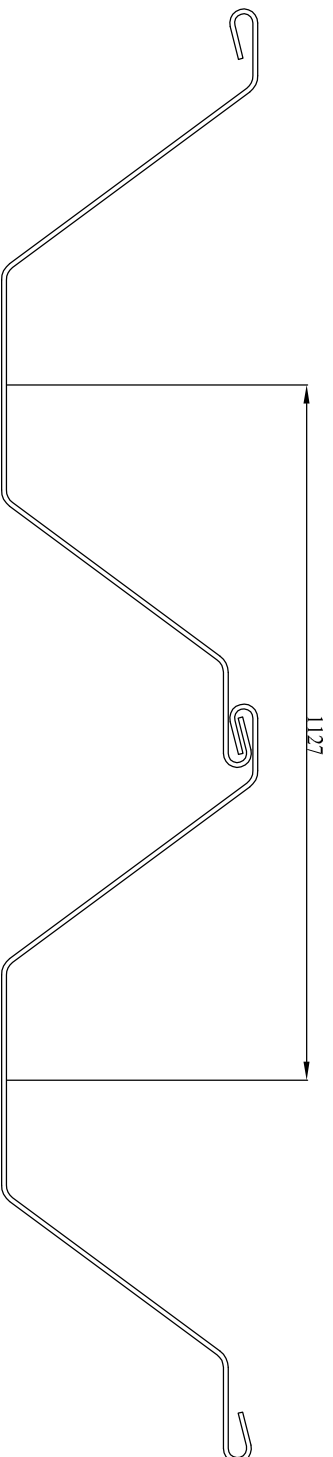


SHEET PILE PROFILE



INTERLOCKED PROFILE

COMBINED PILE PROPERTIES

SERIES	UNIT WIDTH W [in] (mm)	HEIGHT H [in] (mm)	THICKNESS t [in] (mm)	MASS [lb/ft] (kg/m)	MASS [lb/ft ²] (kg/m ²)	TOTAL MODULUS [in ³ /ft] (cm ³ /m)	TOTAL MOMENT OF INERTIA [in ⁴ /ft] (cm ⁴ /m)	Coating Area both side [ft ² /ft] (m ² /m)
ESC-C-CFWM14	44.37 (1,127)	16.37 (416)	0.31 (7.75)	73.58 (109.5)	19.94 (97.2)	26.2 (1,410)	213.80 (29,290)	9.48 (2.89)

C			
N			
M			
L			
K			
J			
I			
H			
G			
F			
E			
D			
C			
B			
A			
Issue	Revision	Date	Initial
	1/3,11,15	JLY	

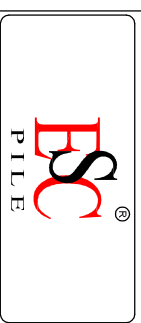
Notes:
All dimensions in millimetres

ESC Client:

Manufacturer:

ESC Group
Room 302, Donggu International No.651
East Shuang Road,
Fuzhou District, Fuzhou City,
Fujian Province, P.R. China
Postal Code: 350002
Ph: +86-21-37265501 Fax: +86-21-37265502
Email: escglobal@escpile.com

Project Title:



Drawing Title:
**ESC-C-CFWM14 SHEET PILE
PROFILE DRAWING**

Stamp:

Signature:

PROFILE DRAWING

Designed JLY	Drawn JLY	Checked CHK	Drawing No.	Rev.
Scale NTS	Date 13.11.2015	Job No. -		A