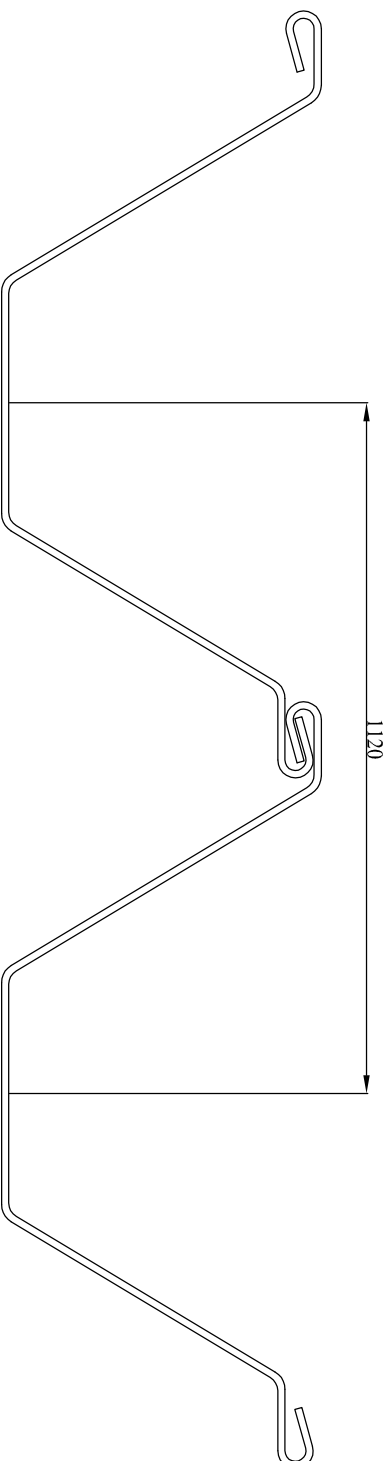


SHEET PILE PROFILE



INTERLOCKED PROFILE

COMBINED PILE PROPERTIES

SERIES	UNIT WIDTH W [in] (mm)	HEIGHT H [in] (mm)	THICKNESS t [in] (mm)	MASS [lb/ft] (kg/m)	MASS [lb/ft ²] (kg/m ²)	TOTAL MODULUS [in ³ /ft] (cm ³ /m)	TOTAL MOMENT OF INERTIA [in ⁴ /ft] (cm ⁴ /m)	Coating Area both side [ft ² /ft] (m ² /m)
ESC-C-CFW29	44.09 (1,120)	20.42 (519)	0.46 (11.75)	123.95 (184.5)	33.80 (164.7)	54.2 (2,910)	551.61 (75,570)	10.73 (3.27)

C			
N			
M			
L			
K			
J			
I			
H			
G			
F			
E			
D			
C			
B			
A			
Issue / Revision	13.11.15	JLY	Initial

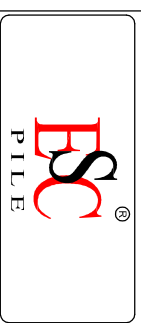
Notes:
All dimensions in millimetres

ESC Client:

Manufacturer:

ESC Group
Room 209, Dongdu International, No.651
East 2nd Ring Road,
Pao Di District, Shuanghui, China
Postcode:200082
Pn : +86-21-31263901 Fax : +86-21-31263902
Email : esc@eshi@escpile.com

Project Title:



Drawing Title:
**ESC-C-CFW29 SHEET PILE
PROFILE DRAWING**

Stamp:

Signature:

PROFILE DRAWING

Designed JLY	Drawn JLY	Checked CHK	Drawing No.	Rev.
Scale NTS	Date 13.11.2015	Job No. -		A